

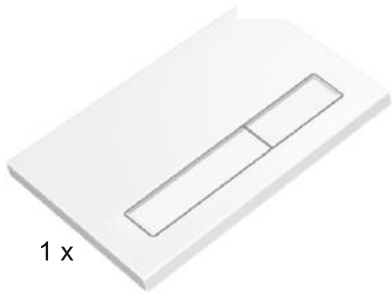
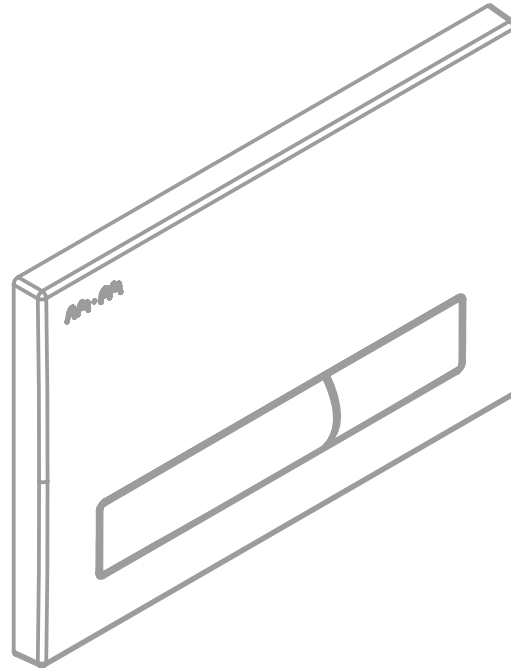
AM-PM

I014101

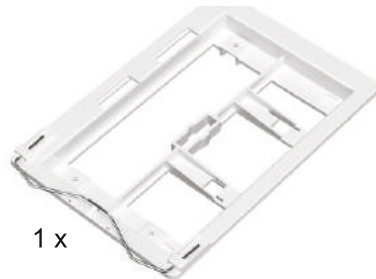
I014131

I014151

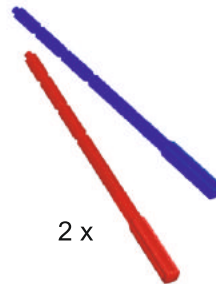
I014181



1 x



1 x



2 x



3 x



3 x

