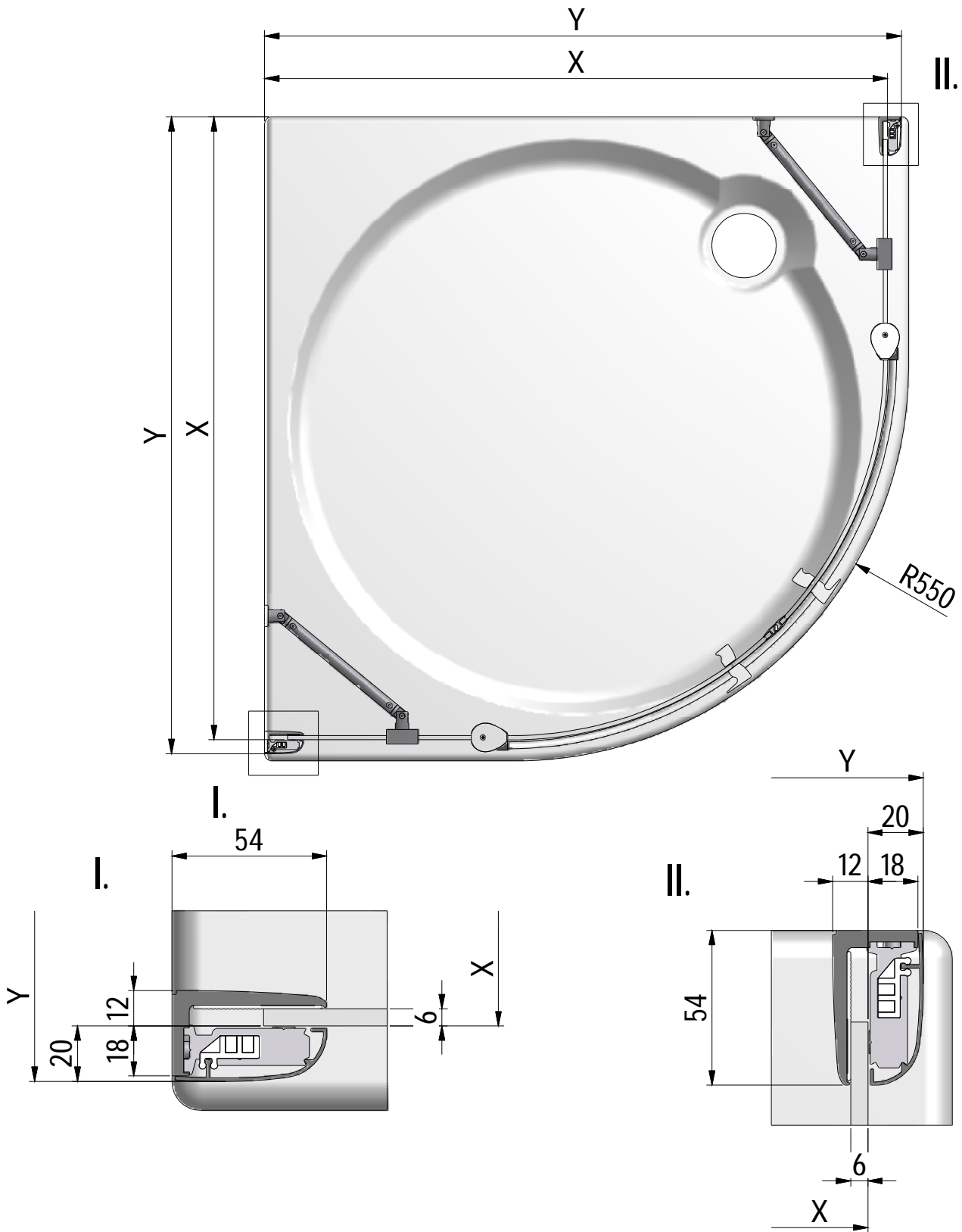


TR2



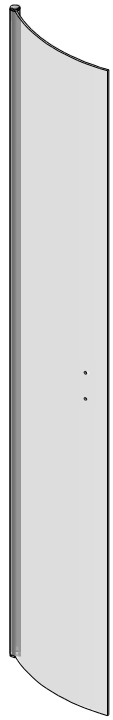


| TR2 | X (mm) | | Y (mm) | |
|------|--------|-----|--------|-----|
| | MIN | MAX | MIN | MAX |
| 800 | 750 | 770 | 770 | 790 |
| 900 | 850 | 870 | 870 | 890 |
| 1000 | 950 | 970 | 970 | 990 |

1. 2x
V13



2. 2x
V14



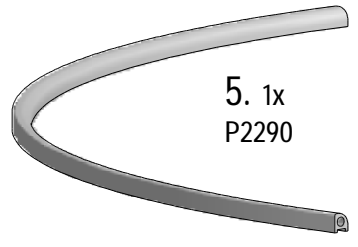
3. 2x



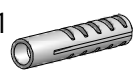
4. 2x
P32



5. 1x
P2290



6. 8x
M0511
n6



7. 8x
M0811
3,9x38



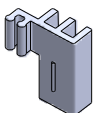
8. 8x
M5974



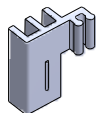
9. 8x
M5975



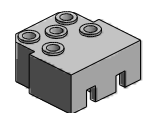
10. 4x
M5924



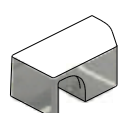
11. 4x
M5925



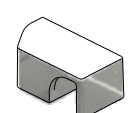
12. 2x
M8833



13. 1x
M8835



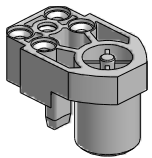
14. 1x
M8834



15. 4x
M0797
3,5x45



16. 2x
M0547



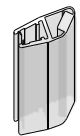
17. 4x
M0793
3,5x25



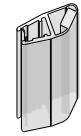
18. 2x
M1916



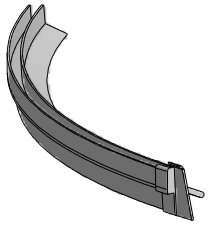
20. 1x
M4174



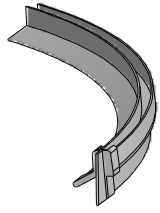
21. 1x
M4175



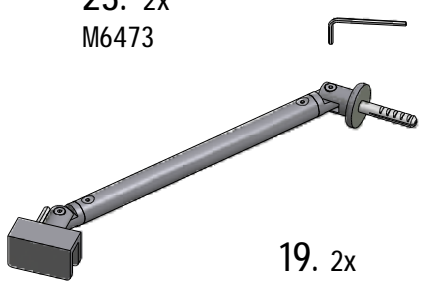
22a. 1x



22b. 1x



23. 2x
M6473



19. 2x
P3010



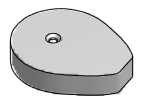
25. 1x
M5926



26. 1x
M5927

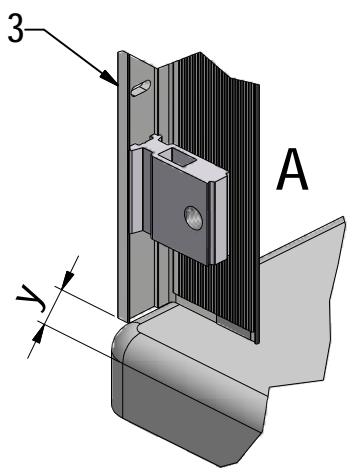
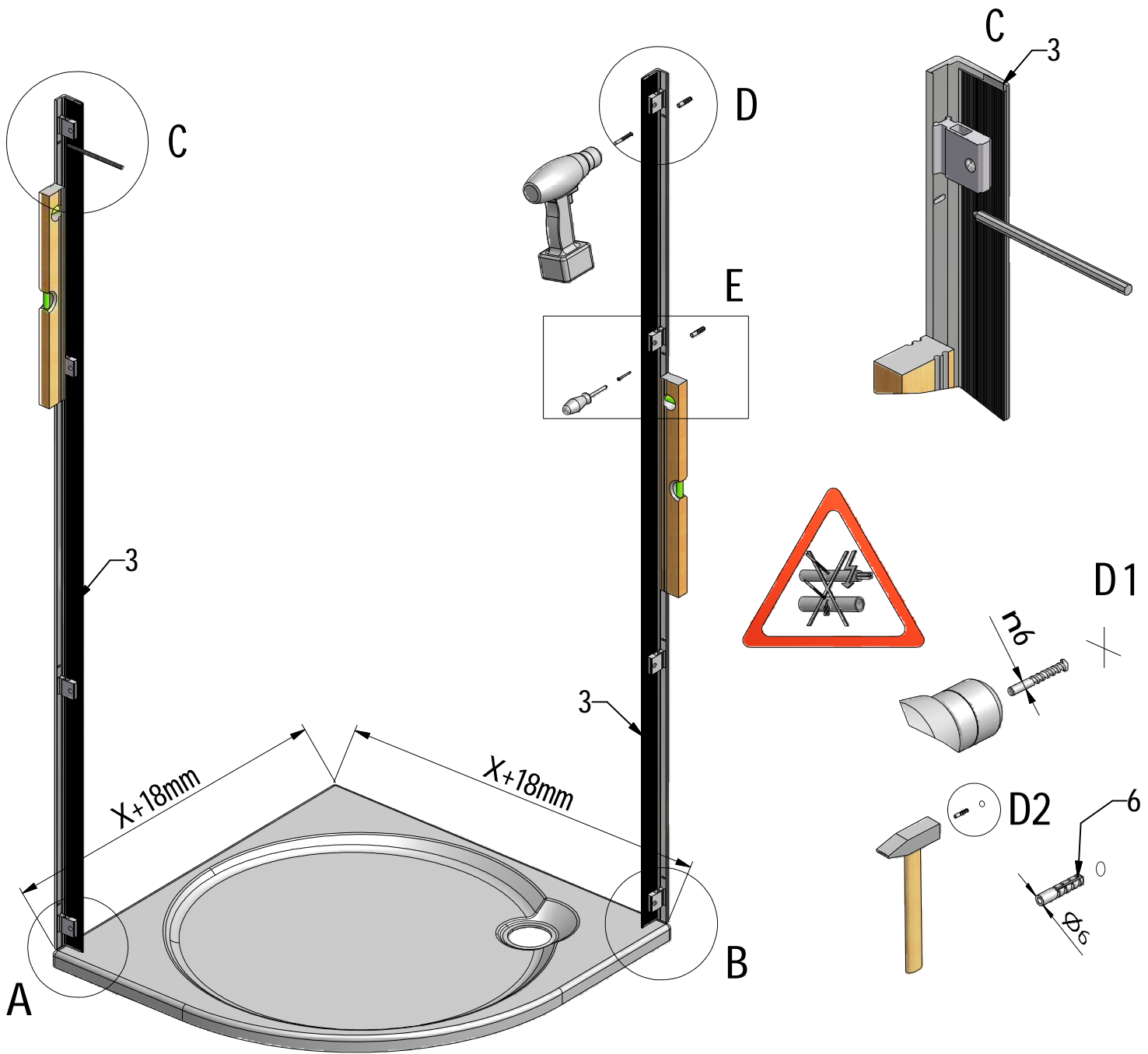


27. 2x
M1896

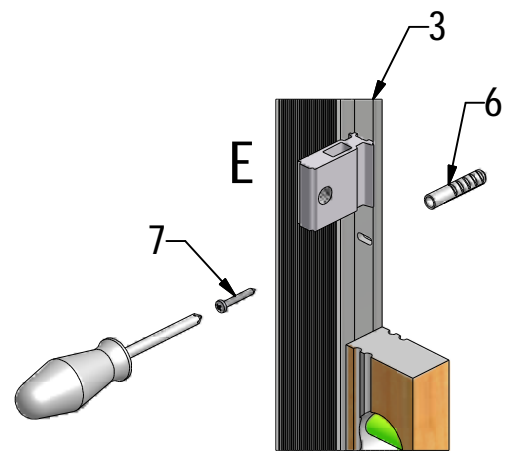
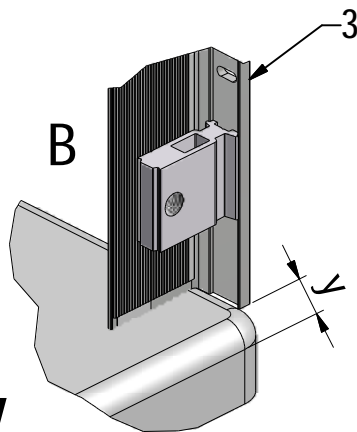


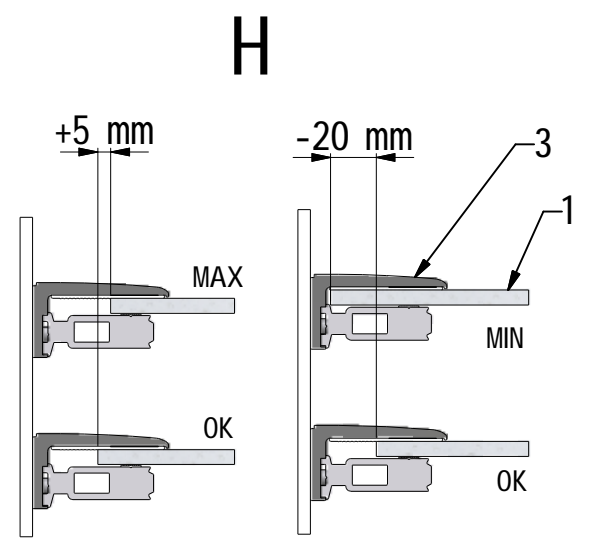
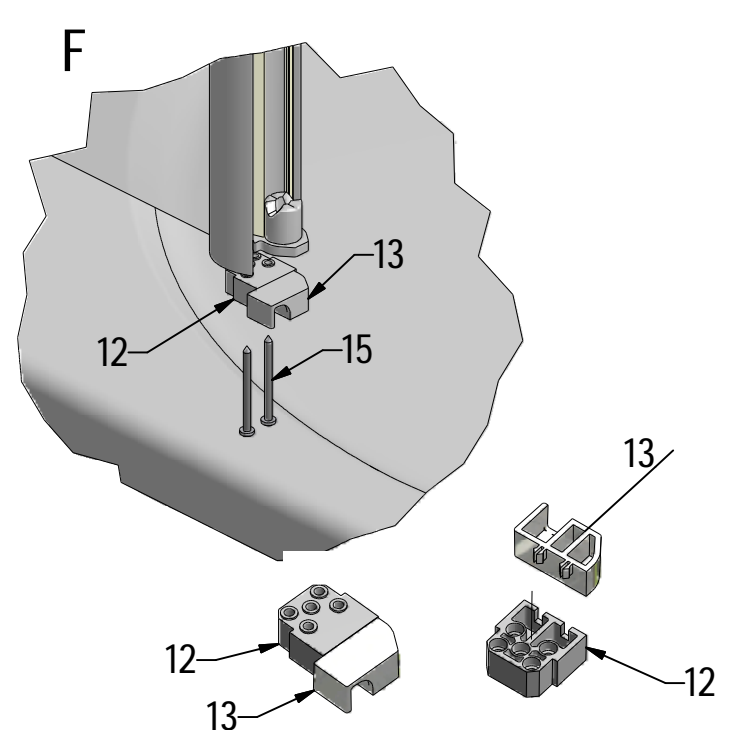
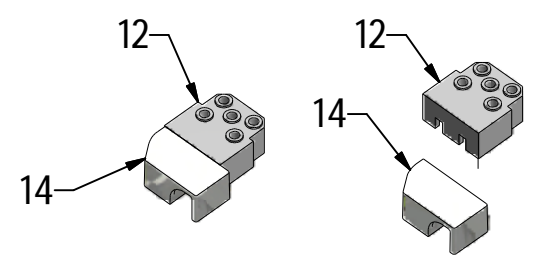
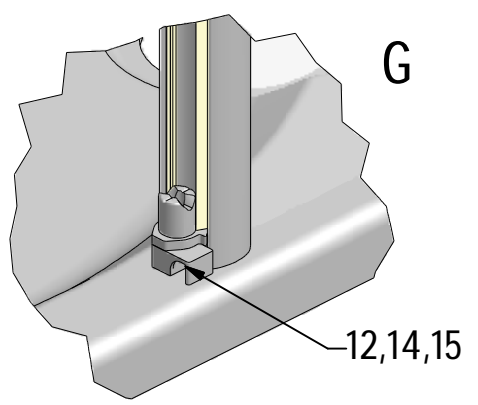
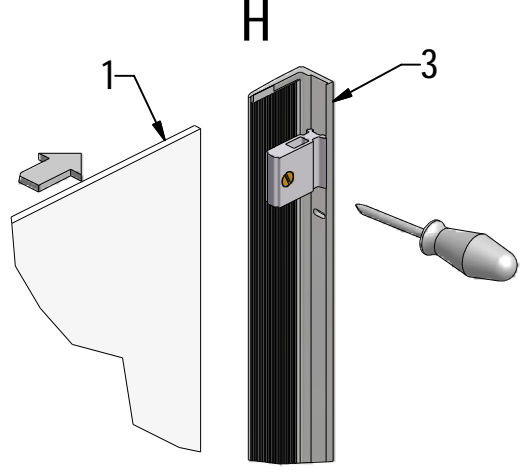
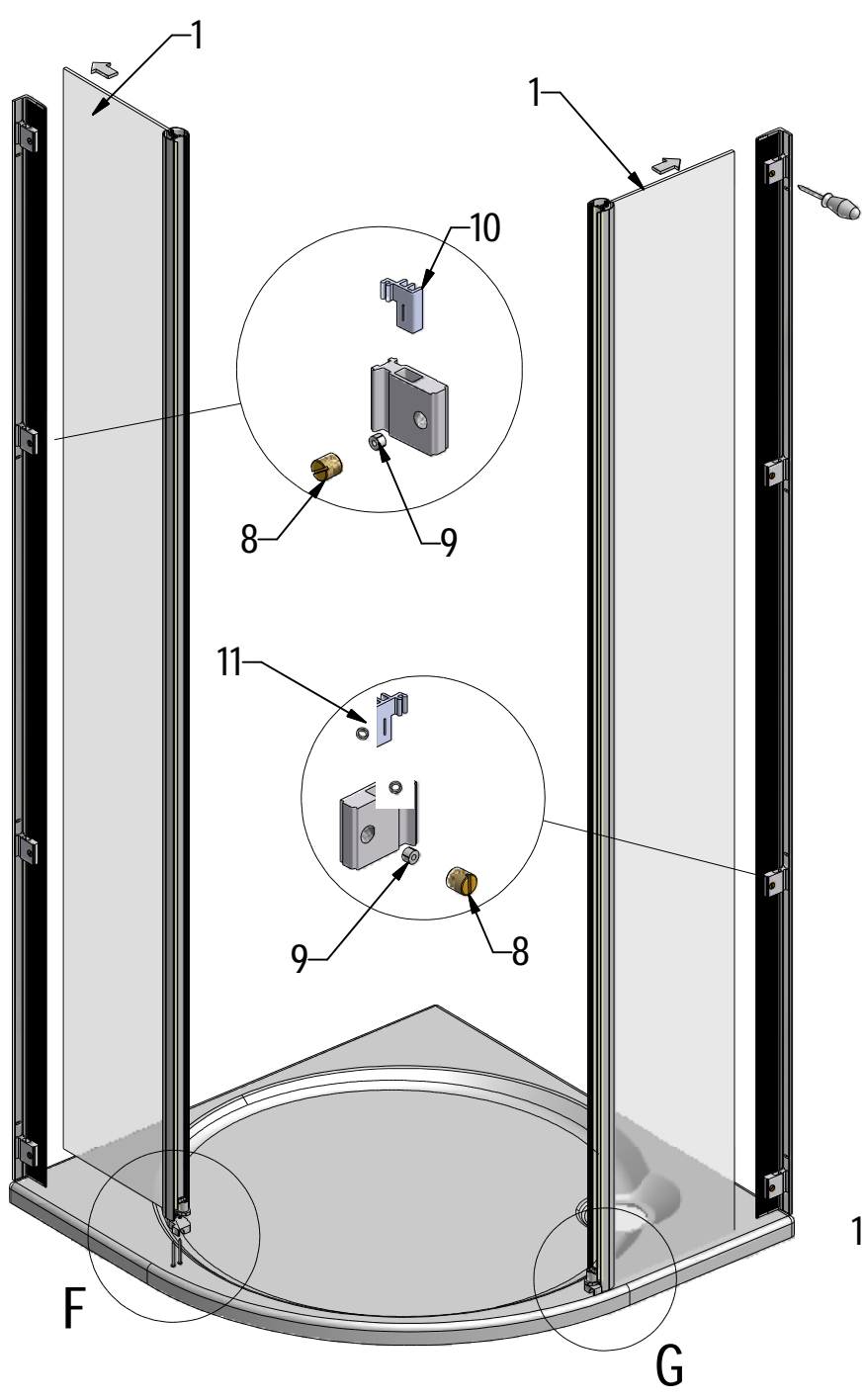
28. 2x
M0800
3,5x45

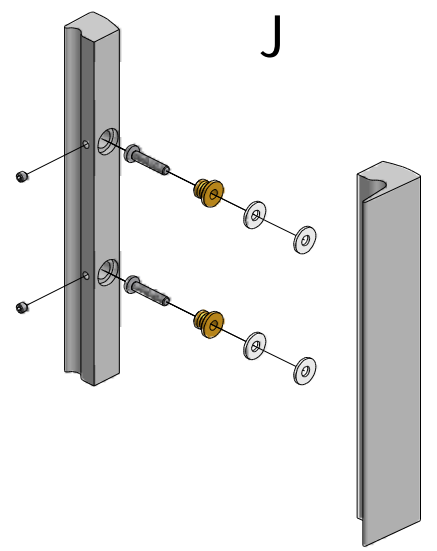
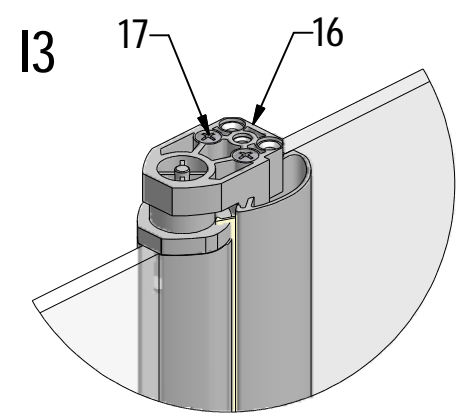
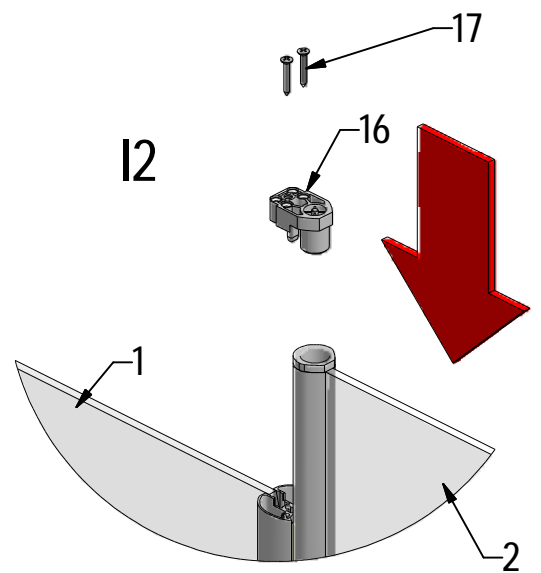
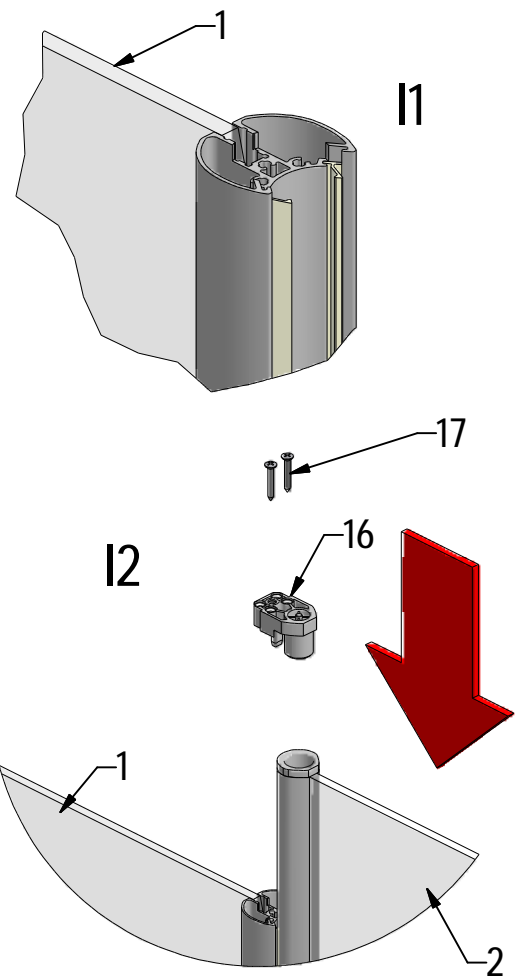
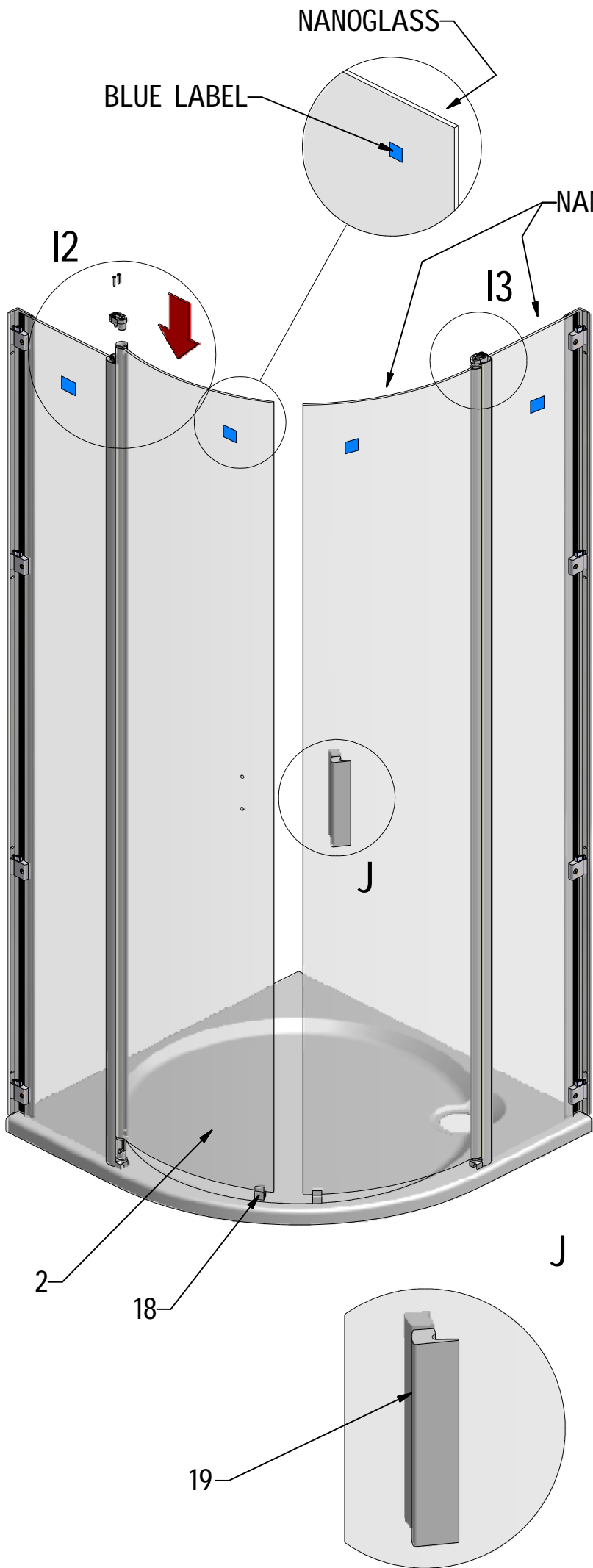


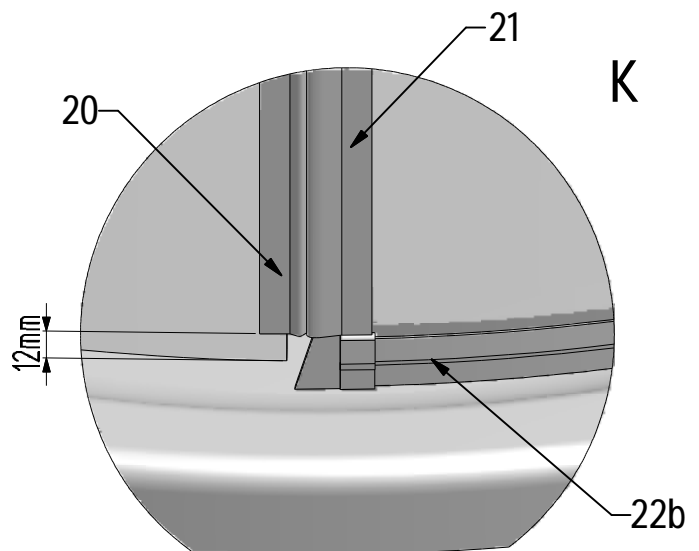
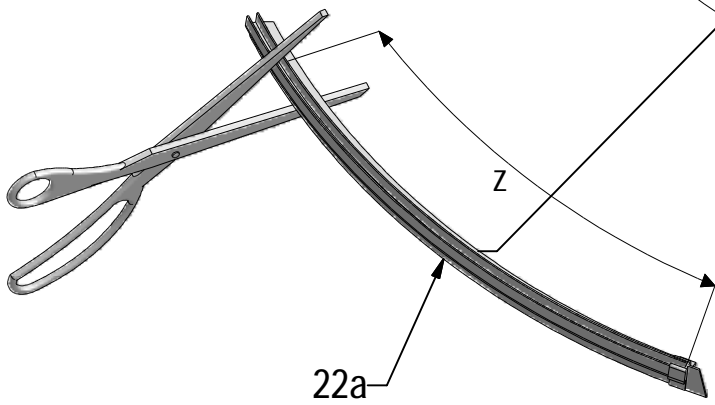
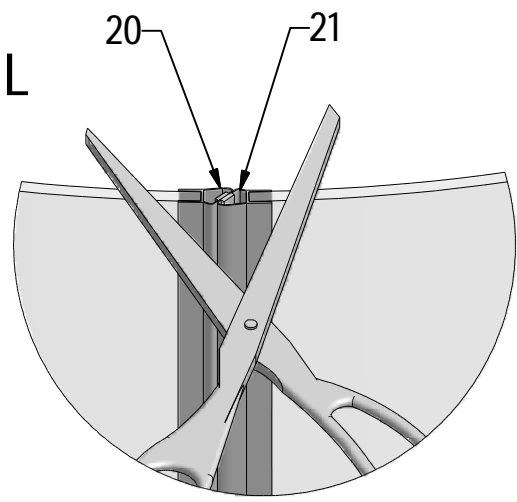


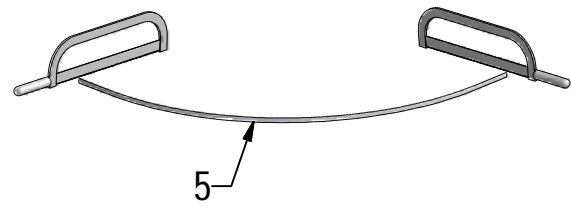
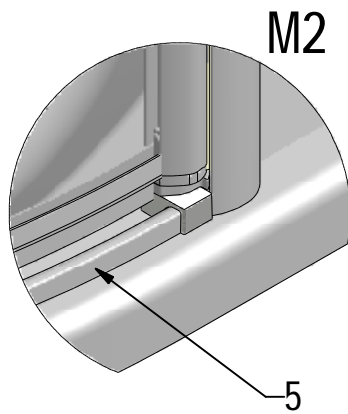
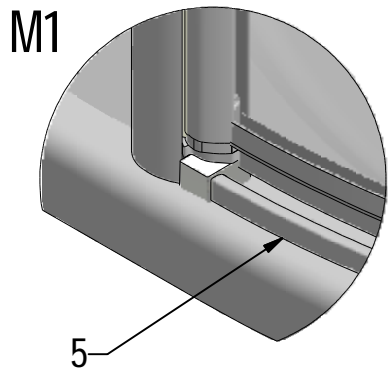
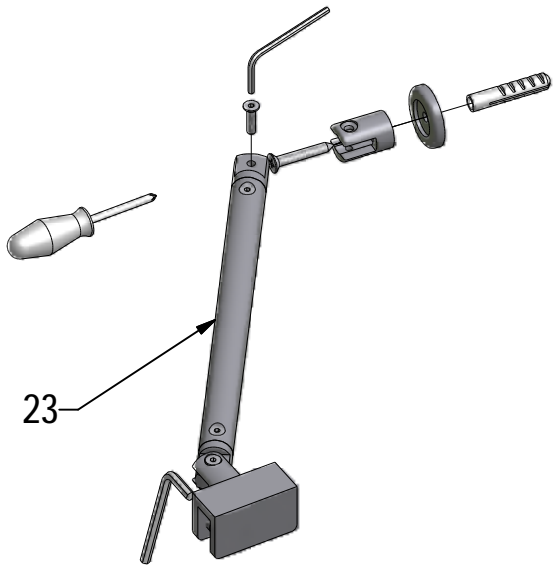
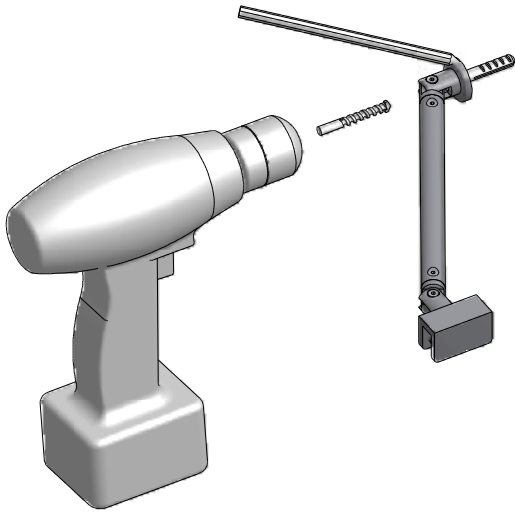
$y=y$

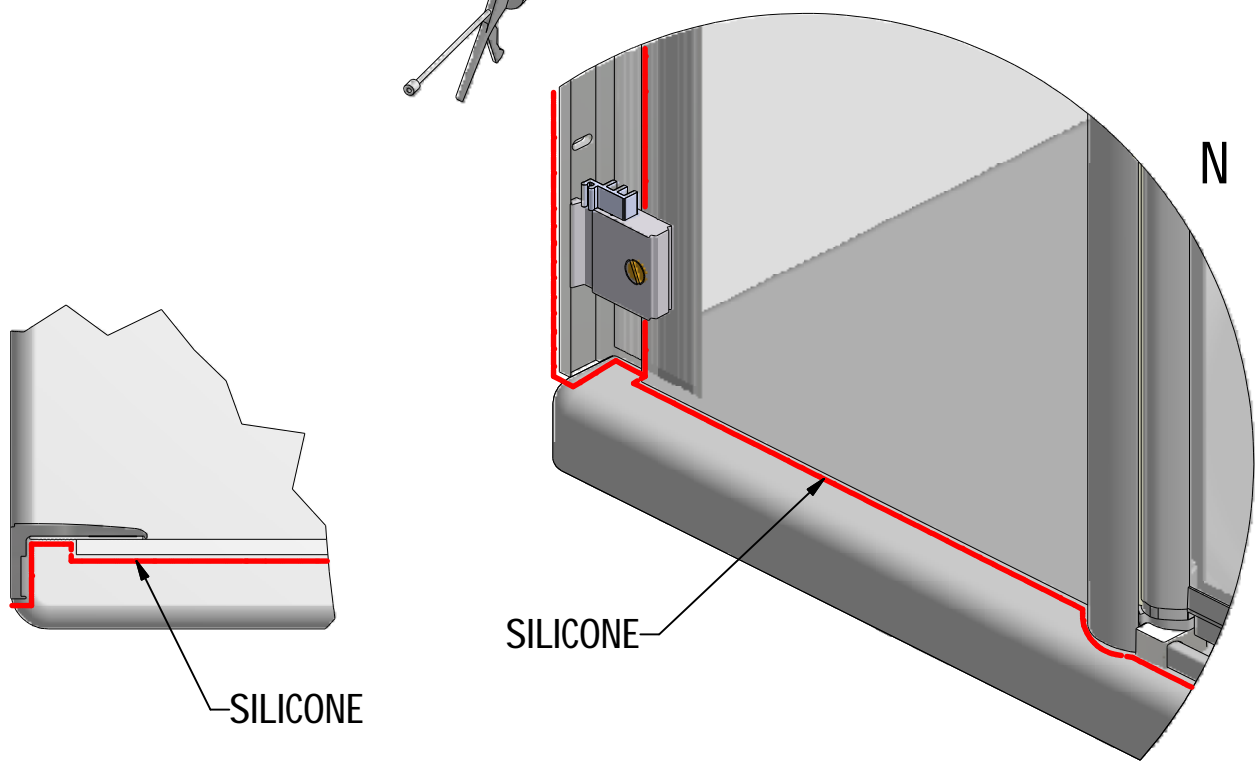
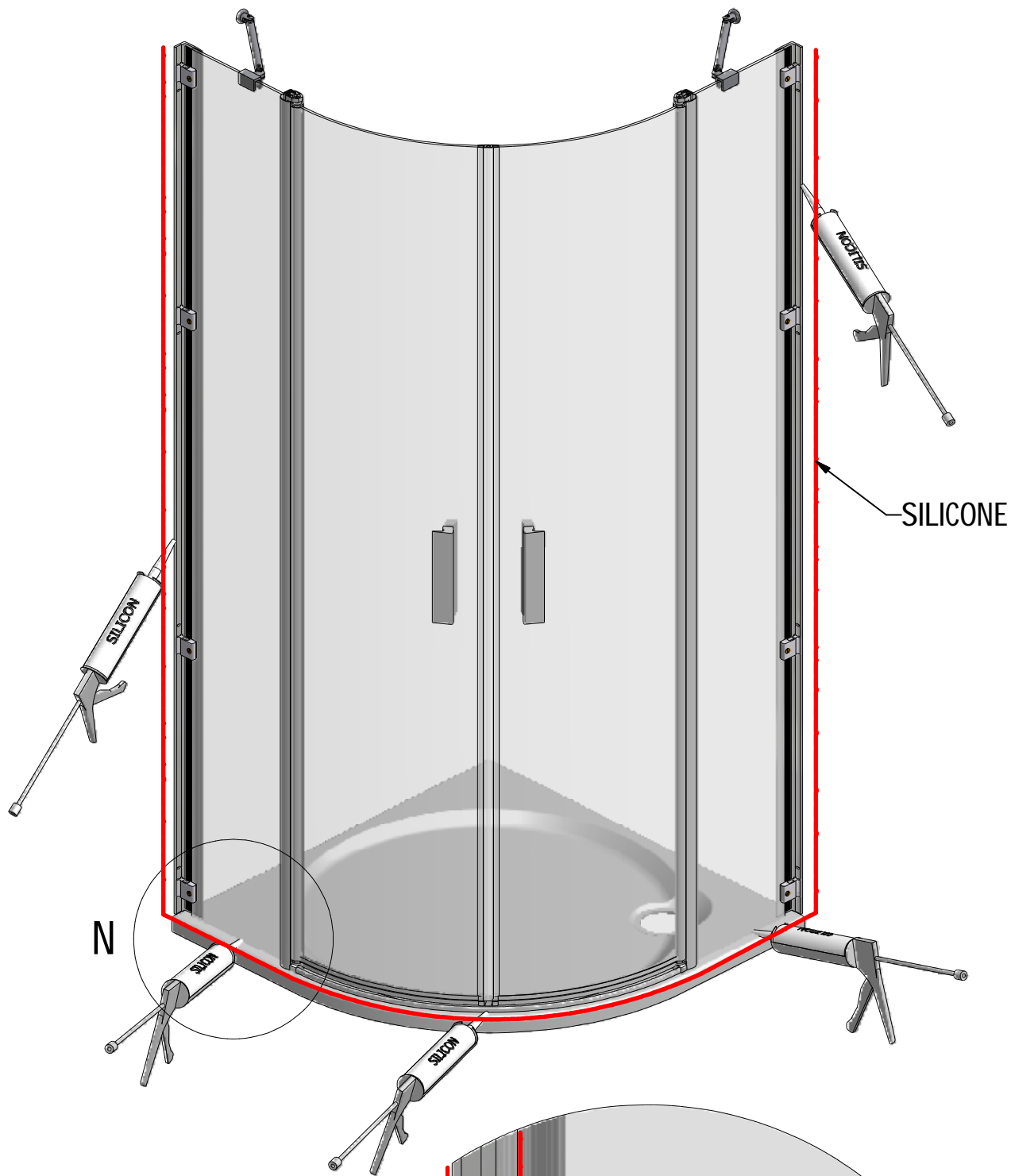


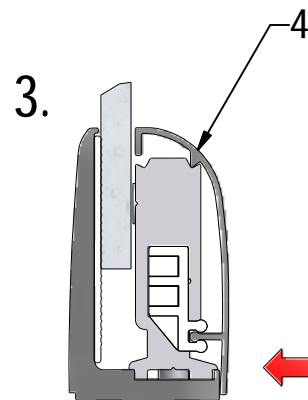
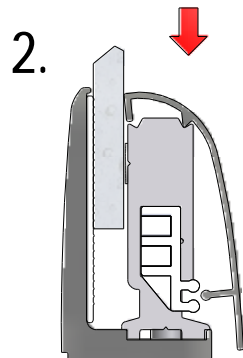
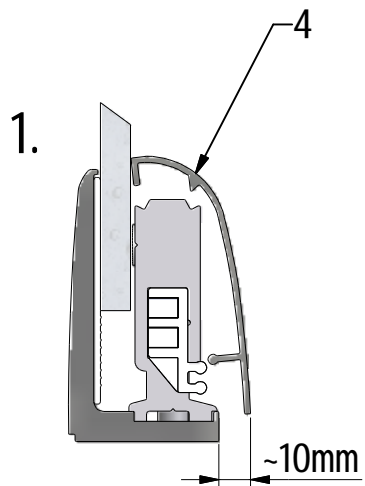
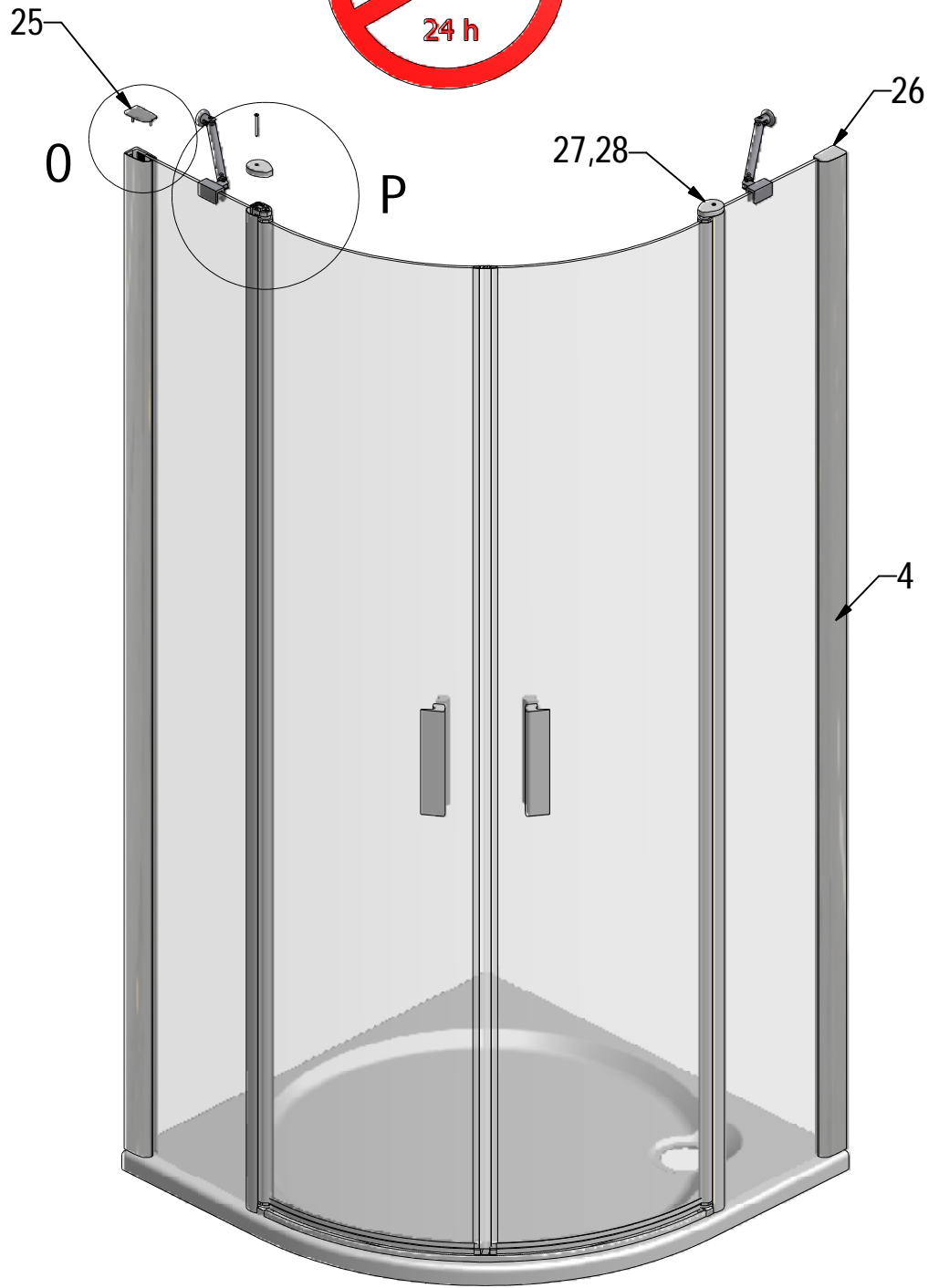
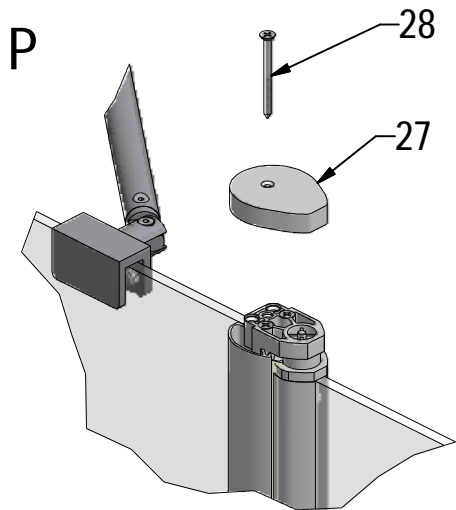
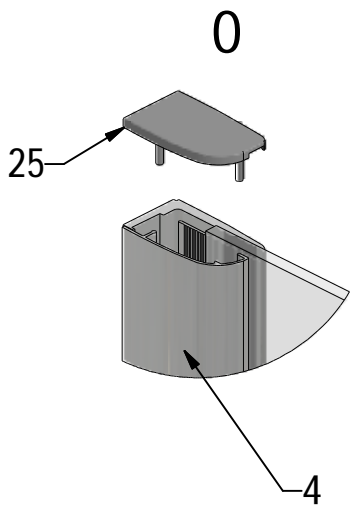


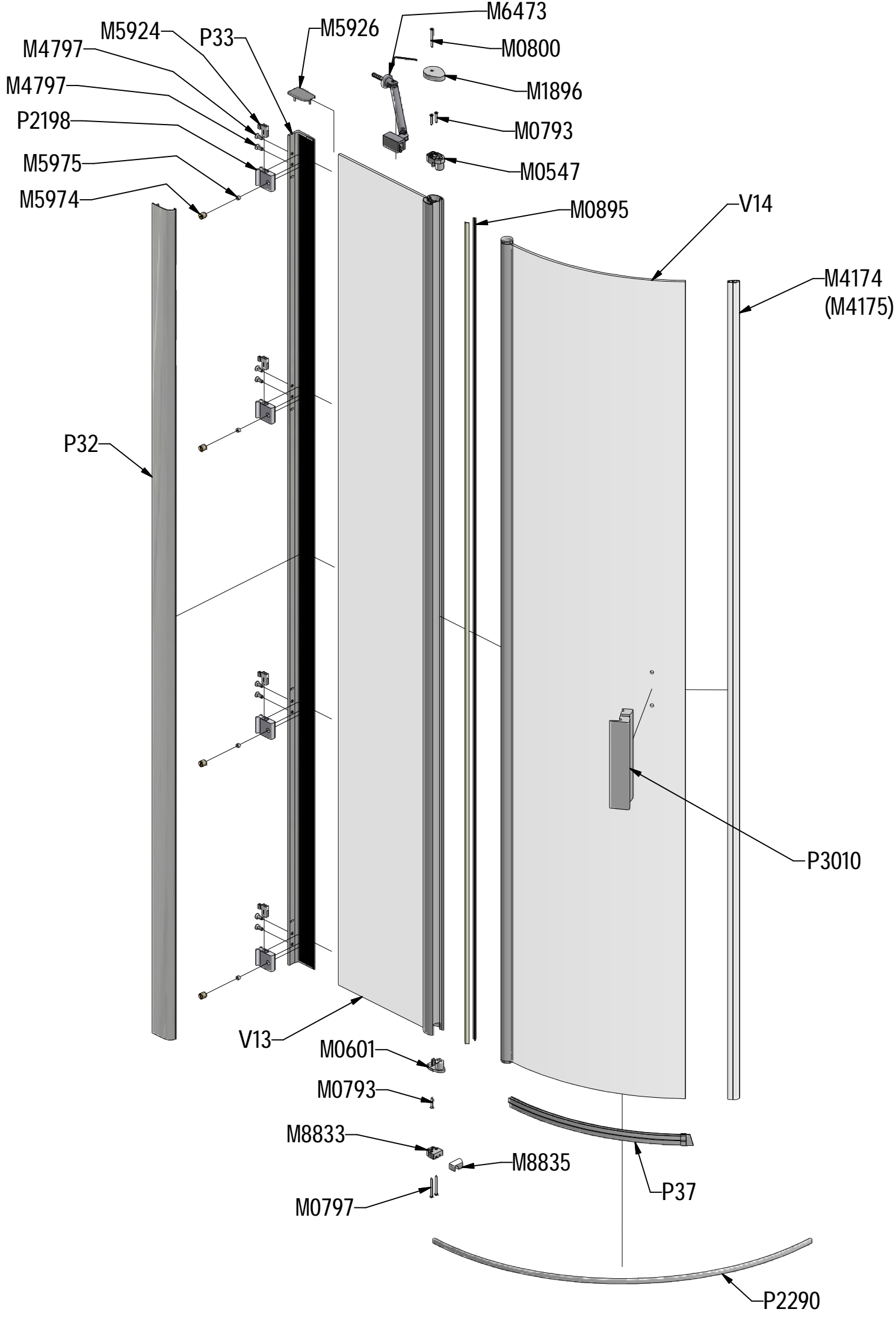


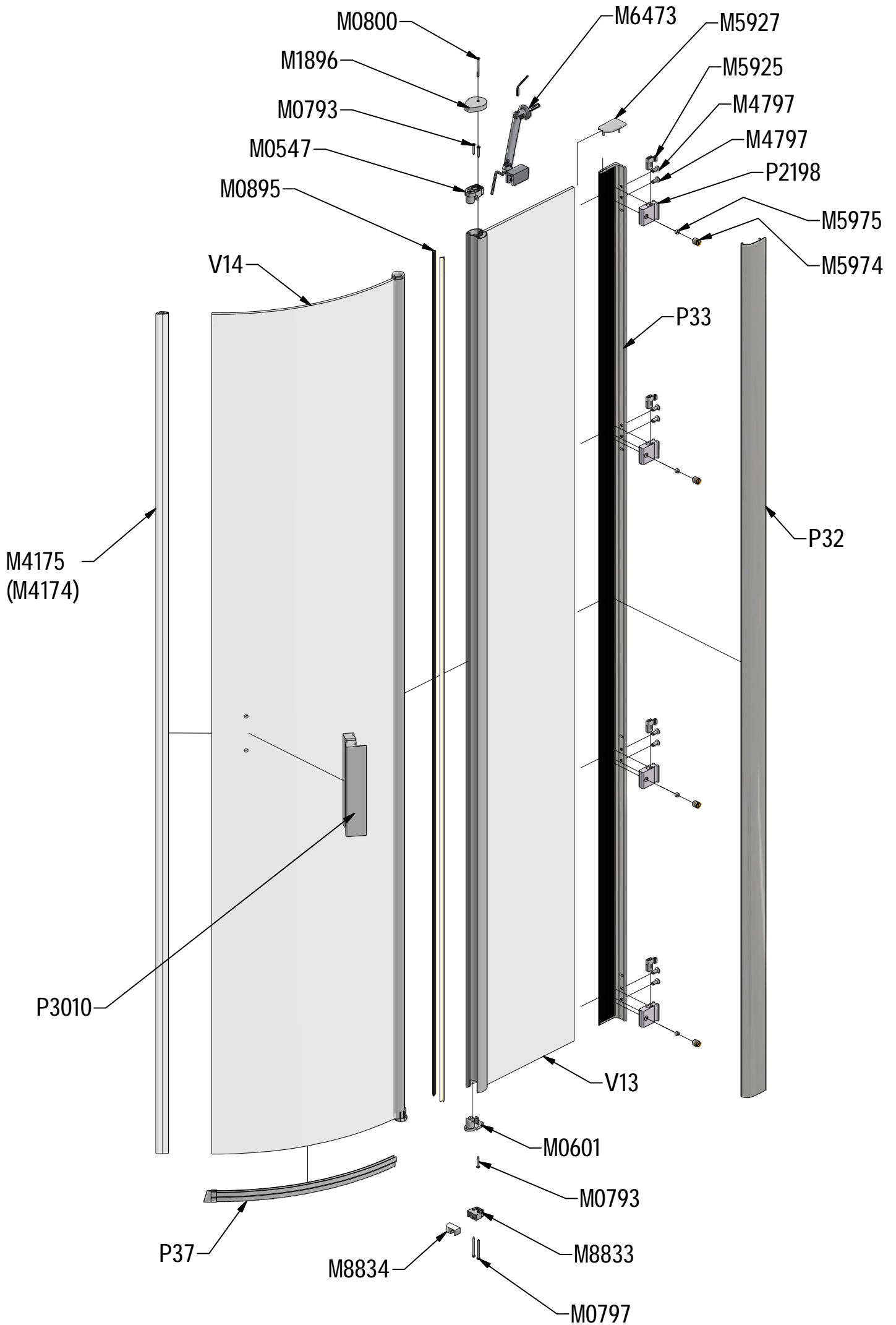












| | | | | |
|-----|--|----------|--|--------------|
| P32 | | brillant | | P2197 |
| | | elox | | P2205 |
| P33 | | brillant | | ND01-0973-00 |
| | | elox | | ND01-0973-01 |
| P37 | | | | ND01-2421 |

| | | | | |
|-----|--------------|----------------------|--------------------|-----------------|
| V13 | 800 | brillant+clear glass | brillant+čiré sklo | ND03-0212-00-02 |
| | | elox+clear glass | elox+čiré sklo | ND03-0212-01-02 |
| | 900 | brillant+clear glass | brillant+čiré sklo | ND03-0190-00-02 |
| | | elox+clear glass | elox+čiré sklo | ND03-0190-01-02 |
| | 1000 | brillant+clear glass | brillant+čiré sklo | ND03-0213-00-02 |
| | | elox+clear glass | elox+čiré sklo | ND03-0213-01-02 |
| V14 | 800;900;1000 | brillant+clear glass | brillant+čiré sklo | ND02-0508-00-02 |
| | | elox+clear glass | elox+čiré sklo | ND02-0508-01-02 |



**ROLTECHNIK a.s. / Třebov 160 / 569 33,
CZECH REPUBLIC**

10

EN 14428:2008+A1